

Smart Power Sensor



Accurate

Class 1 measurement accuracy



Simple & Easy

LCD display, easy to set and check

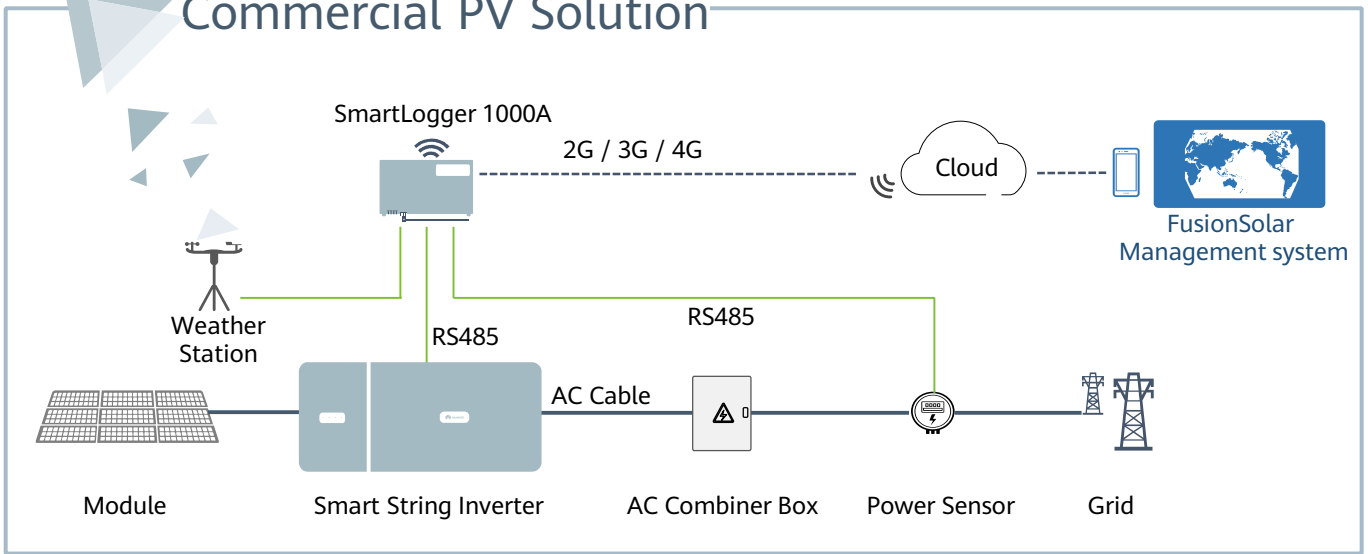


Energy Efficient

Overall power consumption ≤ 1 W

Technical Specification	DDSU666-H	DTSU666-H	DTSU666-H 250A
General Data			
Dimension (H x W x D)	100 x 36 x 65.5 mm (3.9 x 1.4 x 2.6 inch)	100 x 72 x 65.5 mm (3.9 x 2.8 x 2.6 inch)	
Mounting type	DIN35 Rail		
Weight (including cables)	1.2 kg (2.6 lb)	1.5 kg (3.3 lb)	
Power Supply			
Power grid type	1P2W	3P4W	
Input voltage (phase voltage)	176 Vac ~ 288 Vac		
Power consumption	≤ 0.8 W	≤ 1 W	
Measurement Range			
Line voltage	/	304 Vac ~ 499 Vac	
Phase voltage	176 Vac ~ 288 Vac		
Current	0 ~ 100 A	0 ~ 100 A	0 ~ 250 A
Measurement Accuracy			
Voltage	± 0.5 %		
Current / Power / Energy	± 1 %		
Frequency	± 0.01 Hz		
Communication			
Interface	RS485		
Baud rate	9,600 bps		
Communication protocol	Modbus-RTU		
Environment			
Operating temperature range	-25 °C ~ 60 °C		
Storage temperature range	-40 °C ~ 70 °C		
Operating humidity	5 %RH ~ 95 %RH (non-condensing)		
Others			
Accessories	RS485 Cable (10 m / 33 ft.)		
	1 CT 100 A/40 mA (5 m/16.4 ft.)	3 CT 100 A/40 mA (5 m/16.4 ft.)	3 CT 250 A/50 mA (5 m/16.4 ft.)

Commercial PV Solution



Safe & Reliable

Fuse-free design for superior safety

Natural cooling fully sealed design for better reliability

Higher Yields

Multi-MPPT to reduce string mismatch

Euro. Efficiency 98.7% for higher yields

Smart O&M

String-level monitoring for fast trouble-shooting

One click I-V curve diagnosis making unhealthy modules visible

